

Check, Please!

•

Parcel's Suggested Retail Pricing



August 2022

Table Of Contents

Picnic Tables	3
Rectangular Tables	6
Square Pedestal Tables	12
Chairs	15
Benches	19
Milk Stools	21
Edge Shapes	23
Ground Features	24
Paint Finishes	25
Wood Finishes	26

Picnic Table Specifications

Top and Bench Surfaces

- 1-1/2" Thick, solid, prime grade, Southern Yellow Pine
- Double Kiln Dried and Antibacterial Treated to provide improved dimensional stability and rot-resistance
- 5" Wide planks are tied together using 1/4" thick steel plates to create a unitized top
- Benches are equal in length to the top allowing for maximum seating space
- Benches feature an ergonomically beveled edge
- Embedded threaded metal inserts for accurate connections when attaching legs
- Finished with a water-based, ultra-low VOC, non-toxic, penetrating sealer

Legs

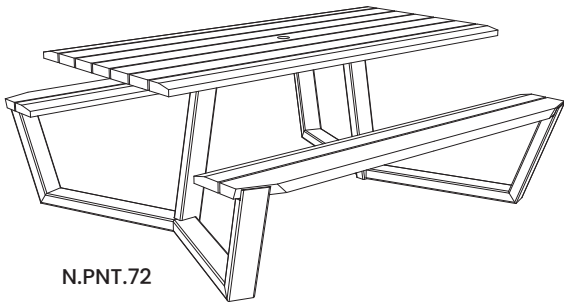
- 11 Gauge (1/8" wall thickness), ASTM A-500 Grade B, 2" x 4" structural steel tubes
- Welded to 1/4" thick, ASTM A-36 steel mounting plates
- Primed (on all surfaces, including the inside of tubes) using electrophoretic coating (known as "e-coat" in the automotive industry) for superior corrosion resistance
- Top coated with a high performance powder coating intended for exterior architectural applications, complying with AAMA 2604

Hardware

- All hardware is 316 or 18-8 Stainless Steel
- Flat-head or Pan-head screws under table tops create smooth surfaces
- Hex, square or Torx drive styles are tamper resistant and include correct driver bits and/or hand tools for installation

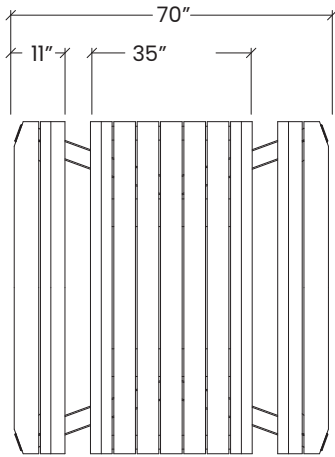
Glides

- Solid UHMW Polyethylene glides are standard
- Optional Ground Mounts are made from 14 gauge 18-8 Stainless Steel and feature a 5/8" hole for anchoring
- Ground Mounts are only designed to discourage product movement
- Appropriate anchoring hardware must be determined by the installer

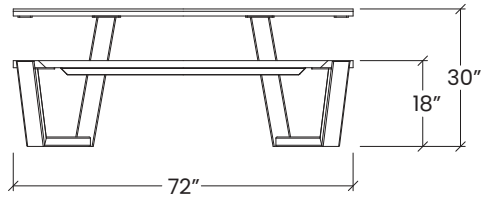
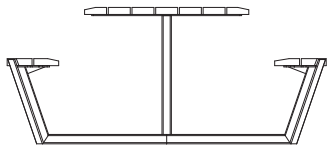


Model	Depth	Width	Height	Weight
N.PNT.72	70"	72"	30"	283 lbs
N.PNT.96	70"	96"	30"	348 lbs
N.PNT.192	70"	192"	30"	672 lbs

Picnic Table Key Dimensions

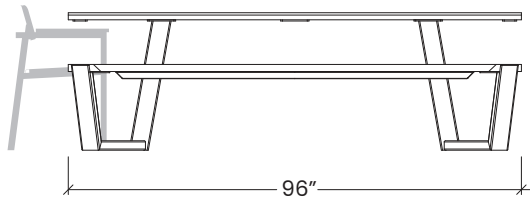


- Overall Depth is 70"
- Each Bench is 11" Deep
- Table Top is 35" Deep

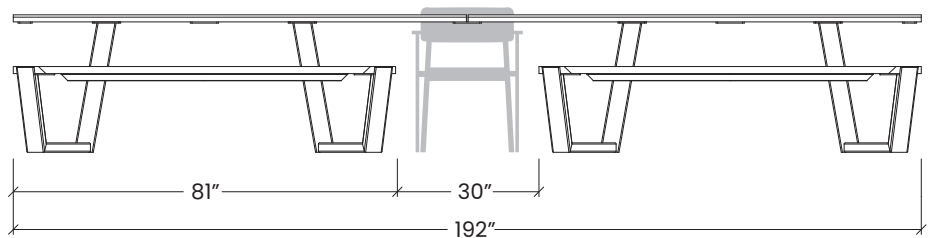


- Table Height is 30"
- Bench Height is 18"

N.PNT.72



N.PNT.96



N.PNT.192

Picnic Tables

Dimensions			Description	Model Code	Base Price
Depth	Width	Height			
70	72	30	Picnic Table, 6' Long <i>Seats 6 people, with two 72" long benches and a 35" x 72" table top</i>	N.PNT.72	6590
70	96	30	Picnic Table, 8' Long <i>Seats 8 people, with two 96" long benches and a 35" x 96" table top</i>	N.PNT.96	7425
70	192	30	Double Picnic Table, 16' Long <i>Seats 16 people, with four 81" long benches and a 35" x 192" table top Two 30" wide access points between benches</i>	N.PNT.192	15100 (Options)

Personalization	Description	Option Code	Price
<i>Choice #1</i>	High Durability Glide	GLD	+0
Ground Feature	Stainless Steel Ground Mount	TGM	+150 (+300)
<i>Choice #2</i>	Square	SQR	+0
Top Edge Shape	Chamfer	CMF	+100 (+200)
	Bevel	BVL	+150 (+300)
<i>Choice #3</i> Paint Finish	Cloud	CLD	+0
	Moonlight	MNL	+0
	Brick Red	BRD	+0
	Yacht Rock Blue	YRB	+0
	Blackest Bronze	BBZ	+0
	Jack Frost	JFT	+525 (+1050)
	Sunflower	SNF	+525 (+1050)
	Ryegrass	RGS	+525 (+1050)
	Fresh Ground	FRG	+525 (+1050)
<i>Choice #4</i> Wood Finish	Maize	MAZ	+0
	Cinnamon	CIN	+0
	Toffee	TOF	+0
	Redwood	RDW	+0
	Walnut	WNT	+0
	Black Char	BKC	+0

Model Number + Ground Feature + Top Edge Shape + Paint Finish + Wood Finish

N.PNT.72 / GLD / BVL / YRB / CIN

Picnic Table, 6' Long with a High Durability Glide, Bevel Edge, Yacht Rock Blue Paint Finish, and Cinnamon Wood Finish

\$6590 + \$0 + \$150 + \$0 + \$0 = \$6740

Rectangular Table Specifications

Top Surface

- 1-1/2" Thick, solid, prime grade, Southern Yellow Pine
- Double Kiln Dried and Antibacterial Treated to provide improved dimensional stability and rot-resistance
- 5" Wide planks are tied together using 1/4" thick steel plates to create a unitized top
- Embedded threaded metal inserts for accurate connections when attaching legs
- Finished with a water-based, ultra-low VOC, non-toxic, penetrating sealer

Legs

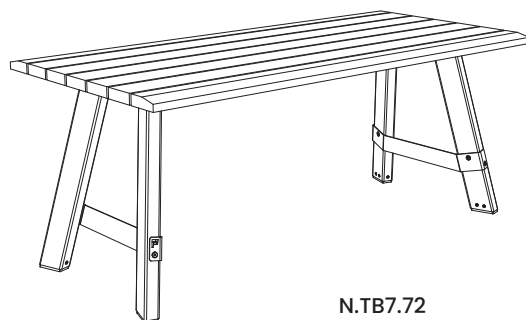
- 11 Gauge (1/8" wall thickness), ASTM A-500 Grade B, 2" x 4" structural steel tubes
- Welded to 1/4" thick, ASTM A-36 steel mounting plates
- Primed (on all surfaces, including the inside of tubes) using electrophoretic coating (known as "e-coat" in the automotive industry) for superior corrosion resistance
- Top coated with a high performance powder coating intended for exterior architectural applications, complying with AAMA 2604

Hardware

- All hardware is 316 or 18-8 Stainless Steel
- Flat-head or Pan-head screws under table tops create smooth surfaces
- Hex, square or Torx drive styles are tamper resistant and include correct driver bits and/or hand tools for installation

Glides

- Solid UHMW Polyethylene glides are standard
- Optional Ground Mounts are made from 14 gauge 18-8 Stainless Steel and feature a 5/8" hole for anchoring
- Ground Mounts are only designed to discourage product movement and appropriate anchoring hardware must be determined by the installer



N.TB7.72

Model	Depth	Width	Height	Weight
N.TB7.48	35"	48"	30"	154 lbs
N.TB7.72	35"	72"	30"	175 lbs
N.TB7.96	35"	96"	30"	211 lbs
N.TB9.72	45"	72"	30"	211 lbs
N.TB9.96	45"	96"	30"	247 lbs
N.CT5.72	25"	72"	36"	126 lbs
N.CT5.96	25"	96"	36"	146 lbs
N.CT7.72	35"	72"	36"	167 lbs
N.CT7.96	35"	96"	36"	202 lbs
N.CT9.72	45"	72"	36"	203 lbs
N.CT9.96	45"	96"	36"	238 lbs
N.HT5.72	25"	72"	42"	146 lbs
N.HT5.96	25"	96"	42"	162 lbs
N.HT7.72	35"	72"	42"	187 lbs
N.HT7.96	35"	96"	42"	222 lbs
N.HT9.72	45"	72"	42"	223 lbs
N.HT9.96	45"	96"	42"	258 lbs

Rectangular Table Visual Reference

Dining Height

30" Tall



Counter Height

36" Tall



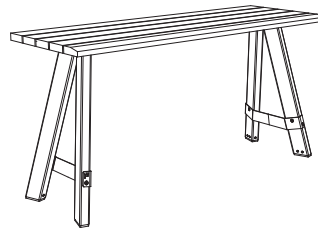
High Top

42" Tall

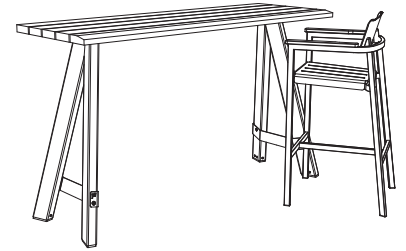


5 Planks

25" Deep



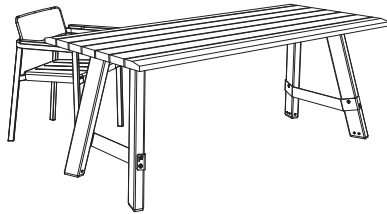
N.CT5



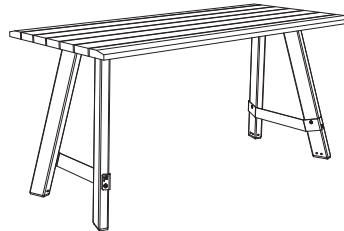
N.HT5 shown with N.AST

7 Planks

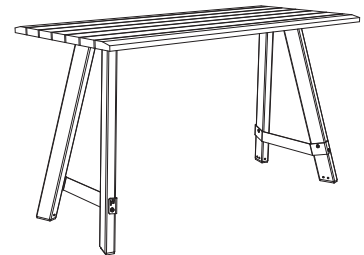
35" Deep



N.TB7 shown with N.ACH



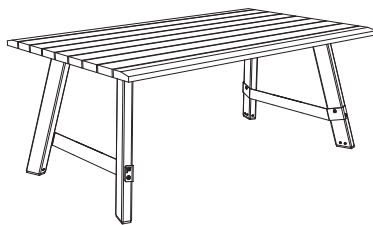
N.CT7



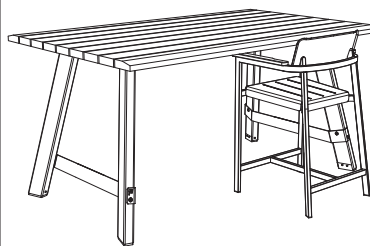
N.HT7

9 Planks

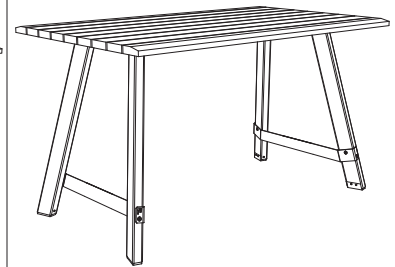
45" Deep



N.TB9

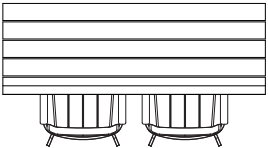
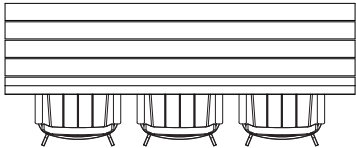
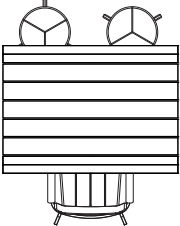
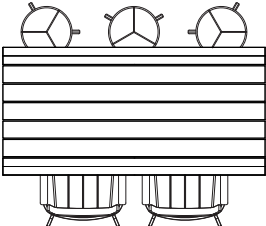
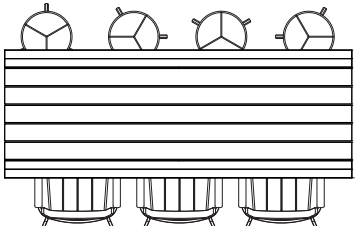
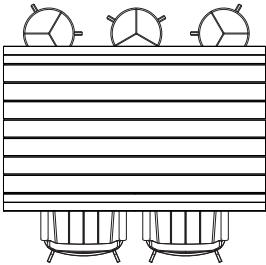
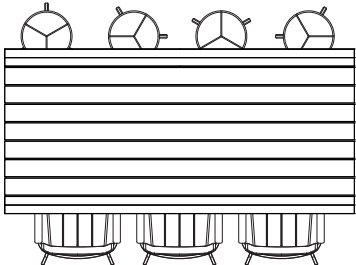


N.CT9 shown with N.CST



N.HT9

Rectangular Table Seating Guide

	48" Wide ▼	72" Wide ▼	96" Wide ▼
5 Planks 25" Deep ►		 <i>Use 2 Chairs on One Side</i>	 <i>Use 3 Chairs on One Side</i>
7 Planks 35" Deep ►	 <i>Use 1 Chair, 2 Milk Stools, or a 48" Wide Bench on Each Side</i>	 <i>Use 2 Chairs, 3 Milk Stools, or a 72" Wide Bench on Each Side</i>	 <i>Use 3 Chairs, 4 Milk Stools, or a 96" Wide Bench on Each Side</i>
9 Planks 45" Deep ►		 <i>Use 2 Chairs, 3 Milk Stools, or a 72" Wide Bench on Each Side</i>	 <i>Use 3 Chairs, 4 Milk Stools, or a 96" Wide Bench on Each Side</i>

Rectangular Dining Tables

Dimensions			Description	Model Code	Base Price
Depth	Width	Height			
35	48	30	Dining Table, 7 Plank Top, 4' Long	N.TB7.48	2750
35	72	30	Dining Table, 7 Plank Top, 6' Long	N.TB7.72	3410
35	96	30	Dining Table, 7 Plank Top, 8' Long	N.TB7.96	4070
45	72	30	Dining Table, 9 Plank Top, 6' Long	N.TB9.72	4235
45	96	30	Dining Table, 9 Plank Top, 8' Long	N.TB9.96	4895

Personalization	Description	Option Code	Price
<i>Choice #1</i>	High Durability Glide	GLD	+0
Ground Feature	Stainless Steel Ground Mount	TGM	+150
<i>Choice #2</i>	Square	SQR	+0
Top Edge Shape	Chamfer	CMF	+100
	Bevel	BVL	+150
<i>Choice #3</i> Paint Finish	Cloud	CLD	+0
	Moonlight	MNL	+0
	Brick Red	BRD	+0
	Yacht Rock Blue	YRB	+0
	Blackest Bronze	BBZ	+0
<i>Choice #4</i> Wood Finish	Jack Frost	JFT	+225
	Sunflower	SNF	+225
	Ryegrass	RGS	+225
	Fresh Ground	FRG	+225
	Maize	MAZ	+0
	Cinnamon	CIN	+0
	Toffee	TOF	+0
Redwood	RDW	+0	
Walnut	WNT	+0	
Black Char	BKC	+0	

Model Number + Ground Feature + Top Edge Shape + Paint Finish + Wood Finish

N.TB9.96 / TGM / CMF / CLD / WNT

Dining Table, 9 Plank Top, 8' Long with a Stainless Steel Ground Mount, Chamfer Edge, Cloud Paint Finish, and Walnut Wood Finish

$\$4895 + \$150 + \$100 + \$0 + \$0 = \5145

Rectangular Counter Height Tables

Dimensions			Description	Model Code	Base Price
Depth	Width	Height			
25	72	36	Counter Height Table, 5 Plank Top, 6' Long	N.CT5.72	3300
25	96	36	Counter Height Table, 5 Plank Top, 8' Long	N.CT5.96	3740
35	72	36	Counter Height Table, 7 Plank Top, 6' Long	N.CT7.72	3850
35	96	36	Counter Height Table, 7 Plank Top, 8' Long	N.CT7.96	4510
45	72	36	Counter Height Table, 9 Plank Top, 6' Long	N.CT9.72	4675
45	96	36	Counter Height Table, 9 Plank Top, 8' Long	N.CT9.96	5500

Personalization	Description	Option Code	Price
<i>Choice #1</i>	High Durability Glide	GLD	+0
Ground Feature	Stainless Steel Ground Mount	TGM	+150
<i>Choice #2</i>	Square	SQR	+0
Top Edge Shape	Chamfer	CMF	+100
	Bevel	BVL	+150
<i>Choice #3</i>	Cloud	CLD	+0
	Moonlight	MNL	+0
	Brick Red	BRD	+0
	Yacht Rock Blue	YRB	+0
	Blackest Bronze	BBZ	+0
Paint Finish	Jack Frost	JFT	+300
	Sunflower	SNF	+300
	Ryegrass	RGS	+300
	Fresh Ground	FRG	+300
	Maize	MAZ	+0
<i>Choice #4</i>	Cinnamon	CIN	+0
	Toffee	TOF	+0
	Redwood	RDW	+0
	Walnut	WNT	+0
	Black Char	BKC	+0

Model Number + Ground Feature + Top Edge Shape + Paint Finish + Wood Finish

N.CT7.72 / GLD / BVL / JFT / TOF

Counter Height Table, 7 Plank Top, 6' Long, High Durability Glide, Bevel Edge, Jack Frost Paint Finish, and Toffee Wood Finish

$$\$3850 + \$0 + \$150 + \$300 + \$0 = \$4300$$

Rectangular High Top Tables

Dimensions			Description	Model Code	Base Price
Depth	Width	Height			
25	72	42	High Top Table, 5 Plank Top, 6' Long	N.HT5.72	3410
25	96	42	High Top Table, 5 Plank Top, 8' Long	N.HT5.96	3850
35	72	42	High Top Table, 7 Plank Top, 6' Long	N.HT7.72	3960
35	96	42	High Top Table, 7 Plank Top, 8' Long	N.HT7.96	4620
45	72	42	High Top Table, 9 Plank Top, 6' Long	N.HT9.72	4785
45	96	42	High Top Table, 9 Plank Top, 8' Long	N.HT9.96	5445

Personalization	Description	Option Code	Price
<i>Choice #1</i>	High Durability Glide	GLD	+0
Ground Feature	Stainless Steel Ground Mount	TGM	+150
<i>Choice #2</i>	Square	SQR	+0
Top Edge Shape	Chamfer	CMF	+100
	Bevel	BVL	+150
<i>Choice #3</i>	Cloud	CLD	+0
	Moonlight	MNL	+0
	Brick Red	BRD	+0
	Yacht Rock Blue	YRB	+0
	Blackest Bronze	BBZ	+0
Paint Finish	Jack Frost	JFT	+325
	Sunflower	SNF	+325
	Ryegrass	RGS	+325
	Fresh Ground	FRG	+325
<i>Choice #4</i>	Maize	MAZ	+0
	Cinnamon	CIN	+0
	Toffee	TOF	+0
	Redwood	RDW	+0
	Walnut	WNT	+0
	Black Char	BKC	+0

Model Number + Ground Feature + Top Edge Shape + Paint Finish + Wood Finish

N.HT7.72 / GLD / BVL / RGS / TOF

High Top Table, 7 Plank Top, 6' Long with a High Durability Glide, Bevel Edge, Ryegrass Paint Finish, and Toffee Wood Finish

$$\$3960 + \$0 + \$150 + \$325 + \$0 = \$4435$$

Pedestal Table Specifications

Top Surface

- 1-1/2" Thick, solid, prime grade, Southern Yellow Pine
- Double Kiln Dried and Antibacterial Treated to provide improved dimensional stability and rot-resistance
- Finished with a water-based, ultra-low VOC, non-toxic, penetrating sealer

Column Bases

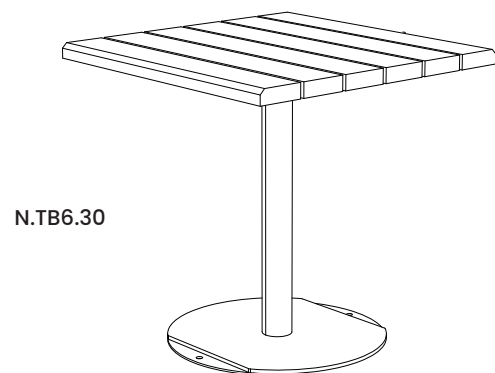
- 11 Gauge (1/8" wall thickness), ASTM A-500 Grade B, 2" or 3" structural steel tubes
- 1/4" Thick, ASTM A-36 steel top surface mounting plates
- 3/8" Thick, ASTM A-36 steel low-profile base plate
- Primed (on all surfaces, including the inside of tubes) using electrophoretic coating (known as "e-coat" in the automotive industry) for superior corrosion resistance
- Top coated with a high performance powder coating intended for exterior architectural applications, complying with AAMA 2604

Hardware

- All hardware is 316 or 18-8 Stainless Steel
- Flat-head or Pan-head screws under table tops create smooth surfaces
- Hex, square or Torx drive styles are tamper resistant and include correct driver bits and/or hand tools for installation

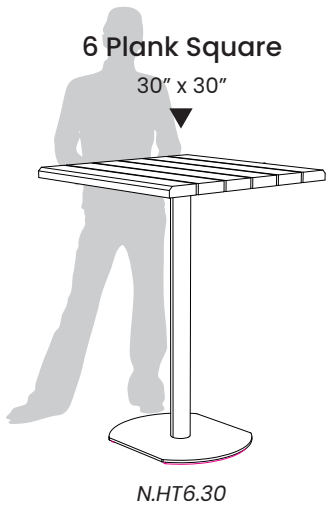
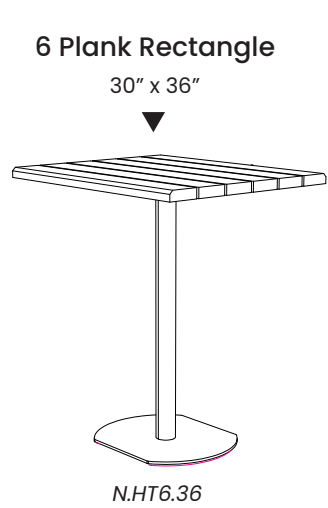

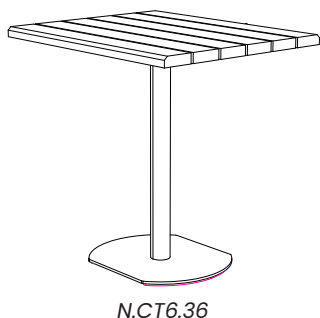
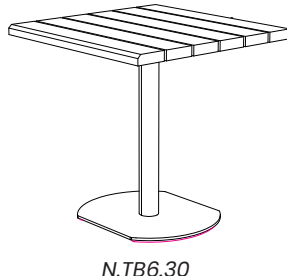
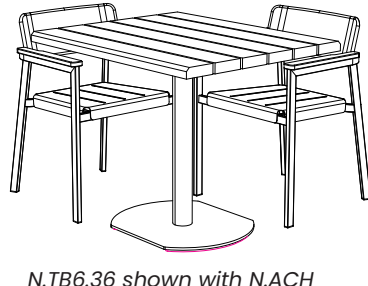
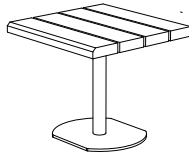
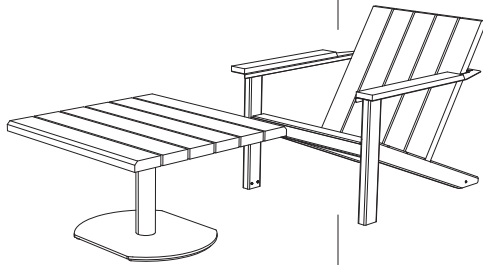
Glides

- Solid UHMW Polyethylene glides are standard
- Optional Ground Mounts are made from 14 gauge 18-8 Stainless Steel and feature a 5/8" hole for anchoring
- Ground Mounts are only designed to discourage product movement
- Appropriate anchoring hardware must be determined by the installer



Model	Depth	Width	Height	Weight
N.OT4.20	20"	20"	18"	34
N.OT6.30	30"	30"	18"	80
N.TB6.30	30"	30"	30"	82
N.TB6.36	30"	36"	30"	87
N.CT6.30	30"	30"	36"	85
N.CT6.36	30"	36"	36"	90
N.HT6.30	30"	30"	42"	88
N.HT6.36	30"	36"	42"	93

Pedestal Table Visual Reference

	4 Plank Square 20" x 20"	6 Plank Square 30" x 30"	6 Plank Rectangle 30" x 36"
High Top 42" Tall ▶		 <p>N.HT6.30</p>	 <p>N.HT6.36</p>
Counter Height 36" Tall ▶		 <p>N.CT6.30 shown with N.CST</p>	 <p>N.CT6.36</p>
Dining Height 30" Tall ▶		 <p>N.TB6.30</p>	 <p>N.TB6.36 shown with N.ACH</p>
Coffee* Height 18" Tall ▶	 <p>N.OT4.20</p>	 <p>N.OT6.30 shown with N.ADR</p>	

* Good for an Old Fashioned too

Pedestal Tables

Dimensions			Description	Model Code	Base Price
Depth	Width	Height			
20	20	18	Square Occasional Table, 4 Plank Top	N.OT4.20	1315
30	30	18	Square Occasional Table, 6 Plank Top	N.OT6.30	1780
30	30	30	Square Dining Table, 6 Plank Top	N.TB6.30	1840
30	30	36	Square Counter Height Table, 6 Plank Top	N.CT6.30	1955
30	30	42	Square High Top Table, 6 Plank Top	N.HT6.30	2070
30	36	30	Rectangle Dining Table, 6 Plank Top	N.TB6.36	1940
30	36	36	Rectangle Counter Height Table, 6 Plank Top	N.CT6.36	2055
30	36	42	Rectangle High Top Table, 6 Plank Top	N.HT6.36	2170

Personalization	Description	Option Code	Price
<i>Choice #1</i>	High Durability Glide	GLD	+0
Ground Feature	Stainless Steel Ground Mount	RGM	+100
<i>Choice #2</i>	Square	SQR	+0
Top Edge Shape	Chamfer	CMF	+50
<i>Choice #3</i>	Cloud	CLD	+0
Paint Finish	Moonlight	MNL	+0
	Brick Red	BRD	+0
	Yacht Rock Blue	YRB	+0
	Blackest Bronze	BBZ	+0
	Jack Frost	JFT	+150
	Sunflower	SNF	+150
	Ryegrass	RGS	+150
	Fresh Ground	FRG	+150
<i>Choice #4</i>	Maize	MAZ	+0
Wood Finish	Cinnamon	CIN	+0
	Toffee	TOF	+0
	Redwood	RDW	+0
	Walnut	WNT	+0
	Black Char	BKC	+0

Model Number + Ground Feature + Top Edge Shape + Paint Finish + Wood Finish

N.CT6.30 / GLD / SQR / BBZ / TOF

Square Counter Height Table, 6 Plank Top, with a High Durability Glide, Square Edge, Blackened Bronze Paint Finish, and Toffee Wood Finish

$$\$1955 + \$0 + \$0 + \$0 + \$0 = \$1955$$

Arm Chair & Arm Stool Specifications

Frame, Seat, and Back

- Welded steel construction using various gauge material
- Primed (on all surfaces, including the inside of tubes) using electrophoretic coating (known as “e-coat” in the automotive industry) for superior corrosion resistance
- Top coated with a high performance powder coating intended for exterior architectural applications, complying with AAMA 2604

Arm Trim

- Solid, prime grade, Southern Yellow Pine
- Double Kiln Dried and Antibacterial Treated to provide improved dimensional stability and rot-resistance
- Finished with a water-based, ultra-low VOC, non-toxic, penetrating sealer

Hardware

- All hardware is 18-8 Stainless Steel
- Flat-head screws inserted into punched holes, creating flush surfaces
- Square-drive tamper resistant hardware

Glides

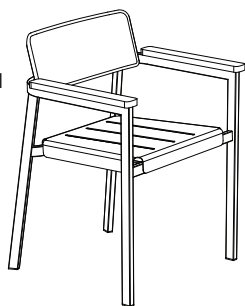
- Solid LD Polyethylene

Additional Features

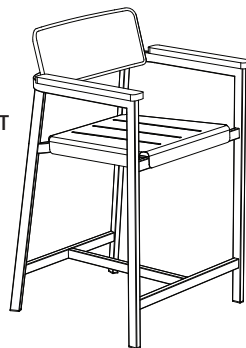
- Fully Assembled
- Arm Chair (N.ACH) may be stacked 4-High
- Arm Stools (N.CST and N.AST) have integrated foot bar

Model	Depth <i>overall</i>	Width <i>overall</i>	Height <i>overall</i>	Seat Height <i>at front edge</i>	Seat Width <i>arm to arm space</i>	Foot Bar <i>height from ground</i>	Weight
N.ACH	21-1/2"	23-1/2"	30-1/2"	18"	19-1/2"	No Bar	17 lbs
N.CST	22"	23-1/2"	36-1/2"	24"	19-1/2"	6"	18 lbs
N.AST	22-1/2"	23-1/2"	42-1/2"	30"	19-1/2"	12"	19 lbs

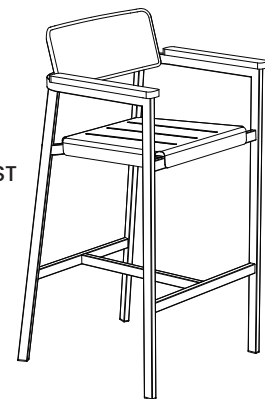
N.ACH



N.CST



N.AST



Arm Chairs & Arm Stools

Dimensions			Description	Model Code	Base Price
<i>Depth</i>	<i>Width</i>	<i>Height</i>			
22	24	31	Arm Chair	N.ACH	650
22	24	37	Arm Stool for Counter Height Tables	N.CST	850
23	24	43	Arm Stool for High Top Tables	N.AST	950

Personalization	Description	Option Code	Price
<i>Choice #1</i> Paint Finish	Cloud	CLD	+0
	Moonlight	MNL	+0
	Brick Red	BRD	+0
	Yacht Rock Blue	YRB	+0
	Blackest Bronze	BBZ	+0
	Jack Frost	JFT	+70
	Sunflower	SNF	+70
	Ryegrass	RGS	+70
	Fresh Ground	FRG	+70
<i>Choice #2</i> Wood Finish	Maize	MAZ	+0
	Cinnamon	CIN	+0
	Toffee	TOF	+0
	Redwood	RDW	+0
	Walnut	WNT	+0
	Black Char	BKC	+0

Model Number + Paint Finish + Wood Finish

N.ACH / FRG / CIN

Arm Chair with Fresh Ground Paint Finish and Cinnamon Wood Finish

$\$650 + \$70 + \$0 = \720

Adirondack Chair Specifications

Seating Surface

- 1-1/2" Thick, solid, prime grade, Southern Yellow Pine
- Double Kiln Dried and Antibacterial Treated to provide improved dimensional stability and rot-resistance
- Finished with a water-based, ultra-low VOC, non-toxic, penetrating sealer

Frame

- 14 gauge , ASTM A-500 Grade B, 1-1/2" x 3" structural steel tubes
- Welded to 14 gauge, ASTM A-36 steel mounting plates
- Primed (on all surfaces, including the inside of tubes) using electrophoretic coating (known as "e-coat" in the automotive industry) for superior corrosion resistance
- Top coated with a high performance powder coating intended for exterior architectural applications, complying with AAMA 2604

Hardware

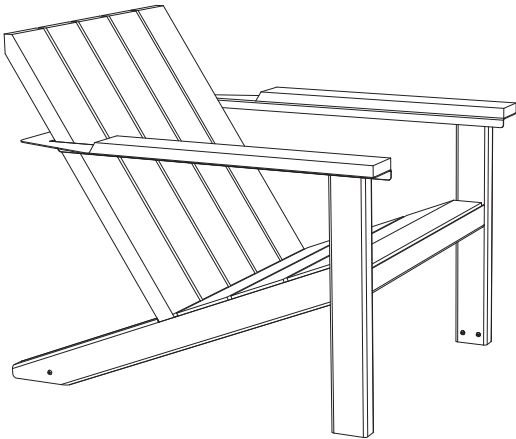
- All hardware is 18-8 Stainless Steel
- Flat-head or Pan-head screws create smooth surfaces
- Square drive style is tamper resistant

Glides

- Solid UHMW Polyethylene

Additional Features

- Fully Assembled



N.ADR

Model	Depth	Width	Height	Weight
N.ADR	35"	30"	29"	79 lbs

Adirondack Chair

Dimensions	Description	Model Code	Base Price
<i>Depth</i> <i>Width</i> <i>Height</i>			
35 30 29	Adirondack Chair	N.ADR	2650

Personalization	Description	Option Code	Price
	Cloud	CLD	+0
	Moonlight	MNL	+0
	Brick Red	BRD	+0
<i>Choice #1</i>	Yacht Rock Blue	YRB	+0
Paint Finish	Blackest BronzeJack	BBZ	+0
	Frost	JFT	+150
	Sunflower	SNF	+150
	Ryegrass	RGS	+150
	Fresh Ground	FRG	+150

<i>Choice #2</i> Wood Finish	Natural	NAT	+0
	Cinnamon	CIN	+0
	Toffee	TOF	+0
	Redwood	RDW	+0
	Walnut	WNT	+0
	Black Char	BKC	+0

Model Number + Paint Finish + Wood Finish

N.ADR / FRG / WNT

Adirondack Chair *with* Fresh Ground Paint Finish, *and* Walnut UV Resistant Wood Finish

\$2650 + \$150 + \$0 = \$2800

Bench Specifications

Seating Surface

- 1-1/2" Thick, solid, prime grade, Southern Yellow Pine
- Double Kiln Dried and Antibacterial Treated to provide improved dimensional stability and rot-resistance
- Ergonomically beveled edges on both sides
- 14 gauge ASTM A-36 steel stiffening structure
- Finished with a water-based, ultra-low VOC, non-toxic, penetrating sealer

Legs

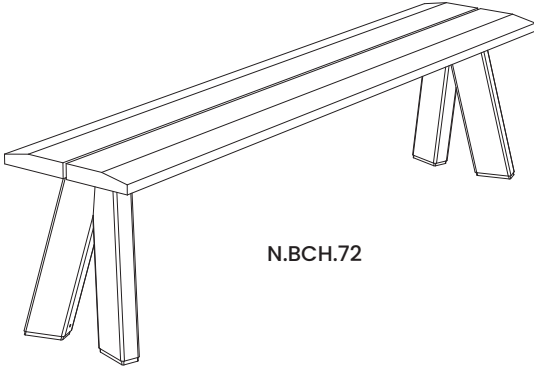
- 11 Gauge (1/8" wall thickness), ASTM A-500 Grade B, 2" x 4" structural steel tubes
- Welded to 1/4" thick, ASTM A-36 steel mounting plates
- Primed (on all surfaces, including the inside of tubes) using electrophoretic coating (known as "e-coat" in the automotive industry) for superior corrosion resistance
- Top coated with a high performance powder coating intended for exterior architectural applications, complying with AAMA 2604

Hardware

- All hardware is 316 or 18-8 Stainless Steel
- Flat-head or Pan-head screws under bench tops create smooth surfaces
- Hex, square or Torx drive styles are tamper resistant and include correct driver bits and/or hand tools for installation

Glides

- Solid UHMW Polyethylene glides are standard
- Optional Ground Mounts are made from 14 gauge 18-8 Stainless Steel and feature a 5/8" hole for anchoring
- Ground Mounts are only designed to discourage product movement
- Appropriate anchoring hardware must be determined by the installer



Model	Depth	Width	Height	Weight
N.BCH.48	14-3/8"	48"	18"	70 lbs
N.BCH.72	14-3/8"	72"	18"	95 lbs
N.BCH.96	14-3/8"	96"	18"	116 lbs

Benches

Dimensions			Description	Model Code	Base Price
Depth	Width	Height			
14	48	18	Bench, 4' Long	N.BCH.48	2145
14	72	18	Bench, 6' Long	N.BCH.72	2530
14	96	18	Bench, 8' Long	N.BCH.96	2915

Personalization	Description	Option Code	Price
<i>Choice #1</i>	High Durability Glide	GLD	+0
Ground Feature	Stainless Steel Ground Mount	TGM	+150
<i>Choice #2</i>	Cloud	CLD	+0
Paint Finish	Moonlight	MNL	+0
	Brick Red	BRD	+0
	Yacht Rock Blue	YRB	+0
	Blackest Bronze	BBZ	+0
	Frost	JFT	+175
	Sunflower	SNF	+175
	Ryegrass	RGS	+175
	Fresh Ground	FRG	+175
<i>Choice #3</i>	Maize	MAZ	+0
Wood Finish	Cinnamon	CIN	+0
	Toffee	TOF	+0
	Redwood	RDW	+0
	Walnut	WNT	+0
	Black Char	BKC	+0

Model Number + Ground Feature + Paint Finish + Wood Finish

N.BCH.48 / TGM / YRB / CIN

Bench, 4' Long with a Stainless Steel Ground Mount, Yacht Rock Blue Finish, and Cinnamon Wood Finish

\$2145 + \$150 + \$0 + \$0 = \$2295

Milk Stool Specifications

Seating Surface

- 1-1/2" Thick, solid, prime grade, Southern Yellow Pine
- Double Kiln Dried and Antibacterial Treated to provide improved dimensional stability and rot-resistance
- Ergonomically contoured surface
- Finished with a water-based, ultra-low VOC, non-toxic, penetrating sealer

Legs

- 14 gauge , ASTM A-500 Grade B, 1" x 2" structural steel tubes
- Welded to 3/16" thick, ASTM A-36 steel mounting plates
- Primed (on all surfaces, including the inside of tubes) using electrophoretic coating (known as "e-coat" in the automotive industry) for superior corrosion resistance
- Top coated with a high performance powder coating intended for exterior architectural applications, complying with AAMA 2604

Hardware

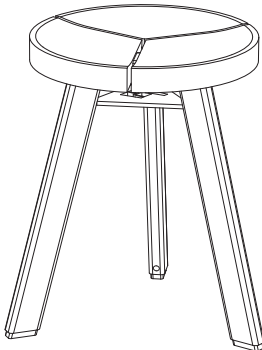
- All hardware is 18-8 Stainless Steel
- Flat-head or Pan-head screws under table tops create smooth surfaces
- Square drive style is tamper resistant

Glides

- Solid UHMW Polyethylene

Additional Features

- Fully Assembled



N.MST

Model	Depth	Width	Height	Weight
N.MST	14"	14"	18-1/2"	17 lbs

Milk Stool

Dimensions	Description	Model Code	Base Price
<i>Depth</i> <i>Width</i> <i>Height</i>			
14 14 18	Milk Stool	N.MST	1010

Personalization	Description	Option Code	Price
	Cloud	CLD	+0
	Moonlight	MNL	+0
	Brick Red	BRD	+0
<i>Choice #1</i>	Yacht Rock Blue	YRB	+0
Paint Finish	Blackest BronzeJack	BBZ	+0
	Frost	JFT	+70
	Sunflower	SNF	+70
	Ryegrass	RGS	+70
	Fresh Ground	FRG	+70

<i>Choice #2</i>	Natural	NAT	+0
	Cinnamon	CIN	+0
	Toffee	TOF	+0
	Redwood	RDW	+0
	Walnut	WNT	+0
	Black Char	BKC	+0

Model Number + Paint Finish + Wood Finish

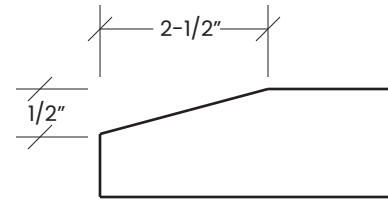
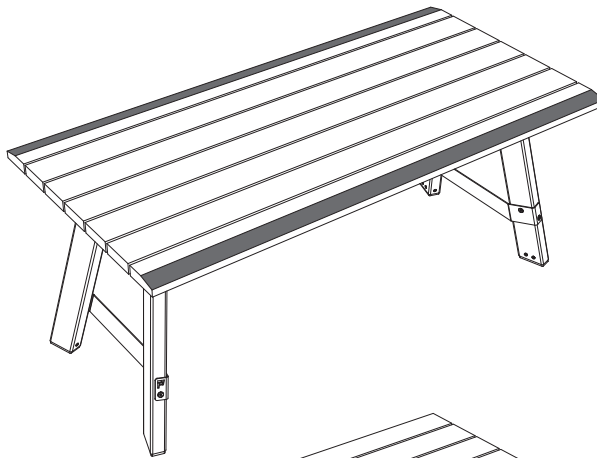
N.MST / BBZ / WNT

Milk Stool *with* Blackest Bronze Paint Finish, *and* Walnut UV Restant Wood Finish

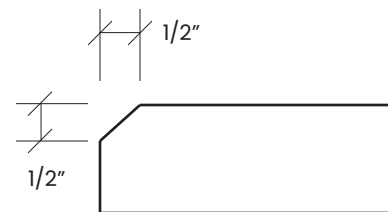
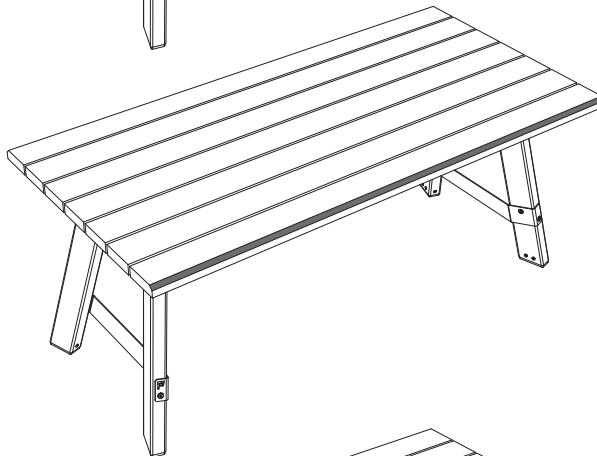
$$\$1010 + \$0 + \$0 = \$1010$$

Top Edge Shapes

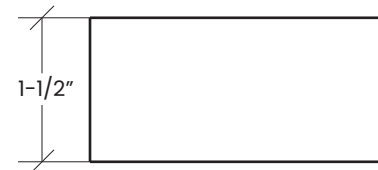
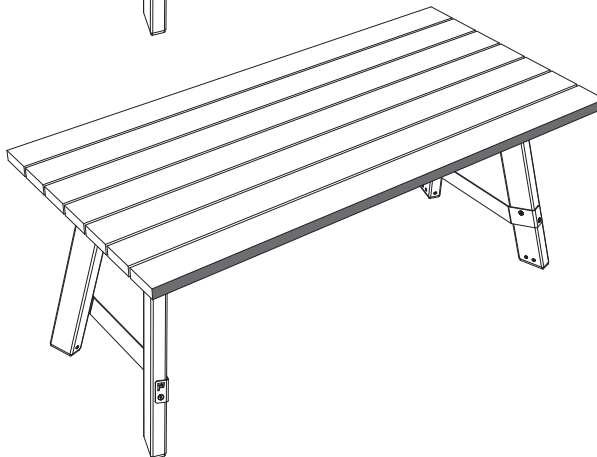
Ergonomic Bevel
BVL



Chamfer
CMF



Square
SQR

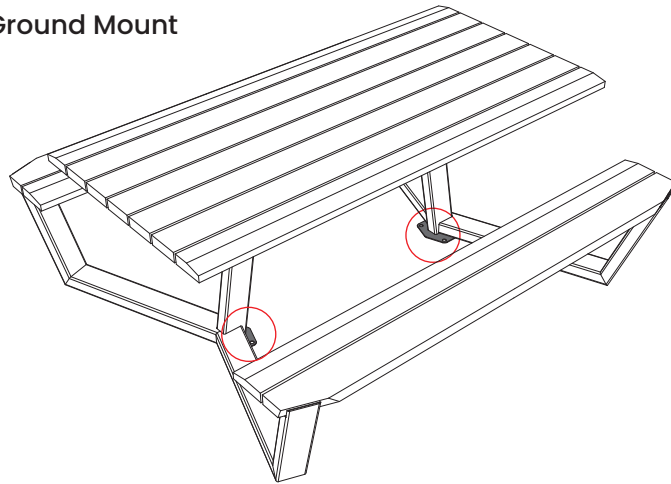


- For 5 Plank (25" Deep) Rectangular Tables, Beveled (BVL) or Chamfer (CMF) Edges are only on the front side. Ends and back side are always squared.
- For 7 Plank (35" Deep) and a 9 Plank (45" Deep) Rectangular Tables, Beveled (BVL) or Chamfer (CMF) Edges are on both long sides. Ends are always squared.
- Square and Rectangle Pedestal Tables are specified with Chamfer (CMF) on two edges or Square (SQR) on all edges.

Ground Features

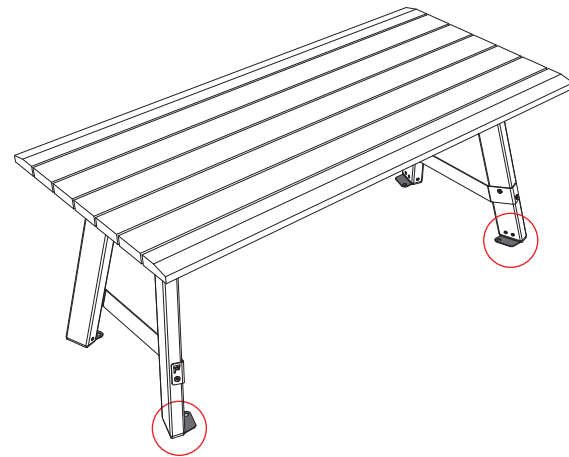
Picnic Table Ground Mount

PGM



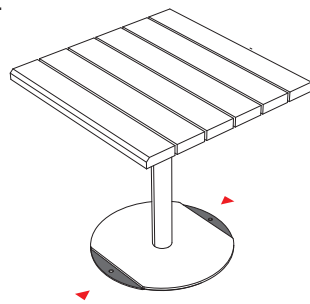
Rectangular Table Ground Mount

TGM



Pedestal Table Ground Mount

RGM



- Optional Ground Mounts are made from 14 gauge 18-8 Stainless Steel and feature a 1/4" hole for anchoring
- Ground Mounts are only designed to discourage product movement
- Appropriate anchoring hardware must be determined by the installer

Paint Finishes

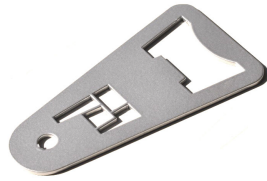
Cloud
CLD



Fresh Ground
FRG



Moonlight
MNL



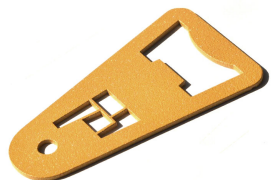
Ryegrass
RGS



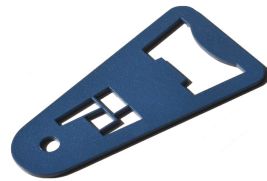
Brick Red
BRD



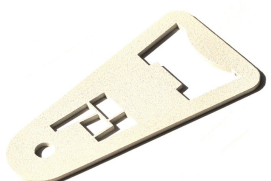
Sunflower
SNF



Yacht Rock Blue
YRB



Jack Frost
JFT



Blackest Bronze
BBZ



Wood Finishes

Maize
MAZ



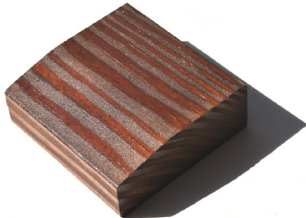
Cinnamon
CIN



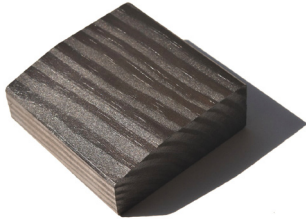
Toffee
TOF



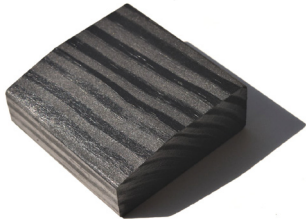
Redwood
RWD



Walnut
WNT



Black Char
BKC



Made to order, just for you.

If you would like something that's a little different than what you see here, let us know. We will try our best to accommodate custom sizes and finishes.

For more information, please visit www.parcelfurniture.com or call us at 1-563-888-5734.



Parcel, Inc.

4810 Kimmel Drive
Suite B
Davenport, Iowa
52802

1-563-888-5734
www.parcelfurniture.com